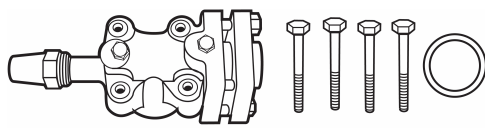


CARLYLE OPEN DRIVE COMPRESSORS/ACCESSORIES

SERVICE VALVES



P77

COMPRESSOR MODEL	SUCTION SERVICE VALVE PART NO	DISCHARGE SERVICE VALVE PART NO
5F20-S674	06DA660063	06DA660062
5F20-A684	06DA660063	06DA660062
5F20-S684	06DA660063	06DA660062
5F30-A189	06EA660090	06DA660065
5F30-S644	06EA660090	06DA660065
5F30-A219	06EA660090	06DA660065
5F30-S664	06EA660090	06DA660065
5F40-A219	06EA660090	06DA660065
5F40-S219	06EA660090	06DA660065
5F60-A219	5F660-002	5F660-001
5F60-S219	5F660-002	5F660-001

5H COMPRESSORS

COMPRESSOR MODEL	SUCTION SERVICE VALVE PART NO	DISCHARGE SERVICE VALVE PART NO
5H40-(+)219	5H660-008	5F660-002
5H46-(+)219	5H660-008	5F660-002
5H60-(+)219‡	06LA660010	06LA660010
5H66-(+)219‡	06LA660010	06LA660010**
5H80-(+)219	06LA660010*	06LA660010**
5H86-(+)219	06LA660010*	06LA660010
5H120-(+)219‡	06LA660011	06LA660011
5H126-(+)219‡	06LA660011	06LA660011

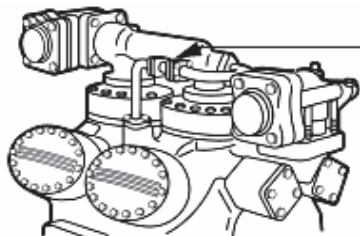
(+) May be either "A" (Remanufactured) or "S" (New Manufactured).

‡ These Models require a suction and a discharge manifold in order to mount the service valve.

* Requires a suction valve adapter (Part No.: 5H660-006).

** Requires a discharge valve adapter (Part No.: 5H660-005).

RELIEF VALVE KIT



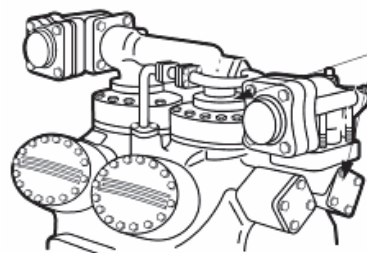
P78

Relief Valve Kit

Compressor Models 5H 120 & 126 Require the addition of a relief valve and associated piping.

P/N: 5H120-337

MANIFOLDS



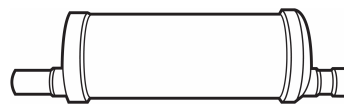
MANIFOLDS

P78

The Models listed requires a suction and discharge manifold in order to mount the service valve.

COMPRESSOR MODEL	SUCTION MANIFOLD PART NO	DISCHARGE MANIFOLD PART NO
5F60-A219	5F60-1094	NONE
5H60, 66	5H660-007	5H660-007
5H120, 126	5H660-001	5H660-003

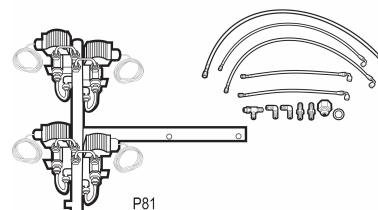
MUFFLERS



P75

COMPRESSOR MODEL	MUFFLER PART NO	LENGTH (in)	CONNSIZE (in)
5F20	06DA605614	11-1/4	1-1/8 O.D.F
5F30, 40, 60	05HY500853	13-3/4	1-3/8 O.D.F
5H40, 46, 60, 66	05HY500863	22-5/8	2-5/8 O.D.F
5H80, 86, 120, 126	05HY501013	22-5/8	3-1/8 O.D.F

EXTERNAL UNLOADER CONVERSION KIT



P81

Kit is used to bypass the standard 5 line responds 5F40/5H126 cylinder unloading system that to suction pressure. A field supplied controller is used in conjunction with this kit to control solenoid valves that activate/deactivate cylinder unloaders. External capacity control results in more precise compressor capacity matching to the load.

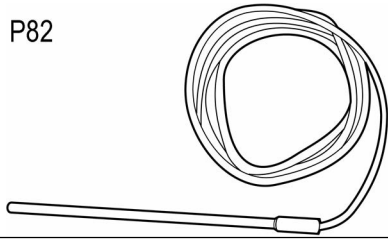
COMPRESSOR MODEL	PART NO
5F40	5F40-4FI-A
5F60	5F60-4FI-A
5H40, 46	5H40-4FI-A
5H60, 66, 80, 86	5H60-4FI-A
5H120, 126	5H120-4FI-A

5F Kits contain hand hole cover.
5H Kits contain blankoff plates.
120 Volt solenoid coils.

CARLYLE OPEN DRIVE COMPRESSORS/ACCESSORIES

CRANKCASE HEATERS

P82

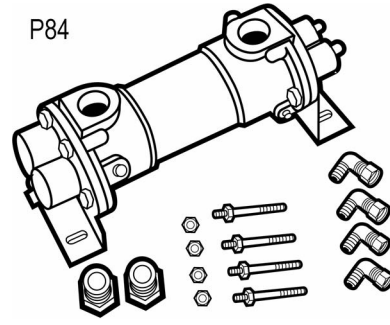


COMPRESSOR MODEL USED ON	PART NO	WATTS	VOLTS	LEAD LENGTH (in)	SHEATH LENGTH (in)
5F20, 30, 40, 60	HT31AZ120	100	120	48	7
5F20, 30, 40, 60	H731AZ240	100	240	48	7
5H40, 46, 60, 66, 80*, 86*, 120*, 126*	HT31AZ121	200	120	63	7
5H40, 46, 60, 66, 80*, 16*, 120*, 126*	HT31AZ241	200	240	63	7

*These Models Require Two Heaters.

OIL COOLER PACKAGE

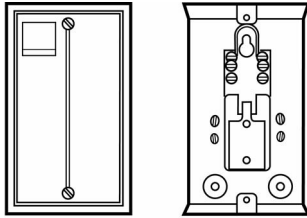
P84



COMPRESSOR MODEL USED ON	PART NO
All 5F	5F20-B103
5H40, 46, 60, 66, 80, 86	5H40-B283
5H120, 126	5H120-B283

CARLYLE OPEN DRIVE COMPRESSORS/ACCESSORIES

CRANKCASE HEATER RELAYS



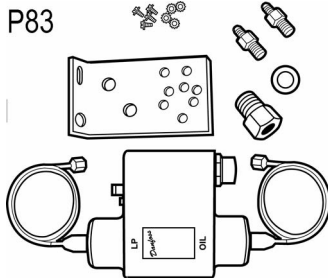
P85

The Crankcase Heater Relay is used to energize the Heater when the compressor is not in operation. The Crankcase Heater Relay is not required when using 32 Series control panels.

PART NO	COIL VOLTS
HN61AJ101	120
HN61AJ108	240

5F/5H LUBE OIL CONTROL

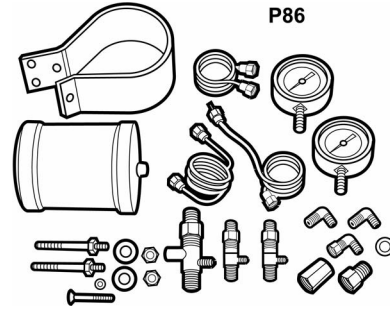
P83



KIT	Control Only	TIME DELAY	CONNECTION	PRESSURE DIFFERENTIAL CUT			
				IN	OUT	VOLTS	RESET
5F20-212	P529-4120	45 Seconds	36" Lg. Cap w/1/4" Fl. Nuts	15-20 psi	11-15 psi	115/230	Manual

OIL FILTER PACKAGE

P86

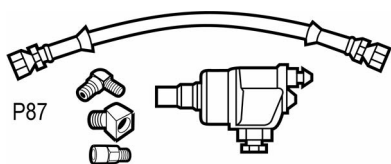


Package Includes: (1) partial flow oil filter with fittings, (2) angle valves, tubing and (2) oil pressure gauges. All 5H120, 126 are supplied standard with a full flow oil filter.

Use on: 5H40, 46, 60, 66, 80, 86 compressor models
P/N: 5H40-A274
OIL FILTER ONLY P/N: 05HG660020

CARLYLE OPEN DRIVE COMPRESSORS/ACCESSORIES

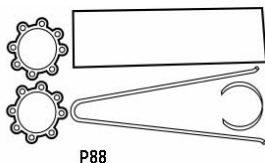
CAPACITY CONTROL VALVE PACKAGE



For use on 5F20,30 compressors.

COMPRESSOR MODEL	PART NO	REFRIGERANT USAGE
5F20, 30	5F20-752	R-12
5F20, 30	5F20-A752	R-22,R-502

FELT FILTER KIT

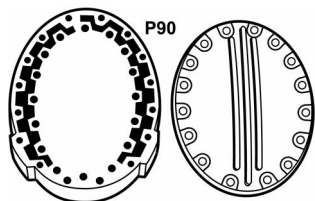


Felt Filters are installed in the compressor's suction strainer as a temporary clean up medium.

NOTE: Filter Kit is included with service compressors.

COMPRESSOR MODEL	PART NO		
	KIT	FILTER ONLY	NO FILTERS REQUIRED PER COMP
5F40, 46	5F40-A352	5F40-3792	1
5F60, 66	5F60-A352	5F60-3792	2
5H40, 46	5H40-A382	5H40-4032	1
5H60, 66	5H60-A382	5H60-4032	2
5H80, 86	5H80-A382	5H80-4032	1
5H120, 126	5H120-A382	5H120-4552	2

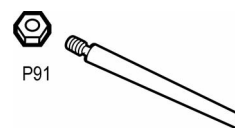
WATER-COOLED HEAD PACKAGE



Water Cooled Heads are required for compressors used on low temp R-22 applications. See Compressor Ratings on pages 4 & 5 for application ranges. The water cooled head packages listed contain the necessary heads, covers, gaskets, and fittings to convert standard 5F/H compressors to water cooled heads.

COMPRESSOR MODEL	PART NO
5H40, 46	5H40-507
5H60, 66	5H60-507
5H80, 86	5H80-507
5H120, 126	5H120-507
5F20	5F20-172
5F30	5F30-172
5F40	5F40-172
5F60	5F60-172

DOWEL PIN

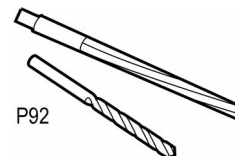


Tapered dowel pin (no. 6 x 2-3/4" long) is used to maintain alignment and to ensure exact compressor/ motor repositioning after service. Two Pins are required for both motor and compressor.

(Pins for motor are included in motor fastening package.)

P/N: AX35AA238

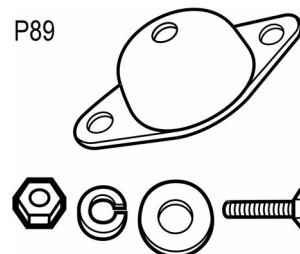
DRILL & REAMER KIT



Drill and reamer kit includes a 9/32 in. drill bit and a no. 6 taper reamer to facilitate installation of the no. 6 tapered dowel pin.

P/N: 5H40680004

VIBRATION ISOLATORS



VIBRATION ISOLATORS limit the transfer of vibration. They are attached underneath the surface to which the compressor is mounted.

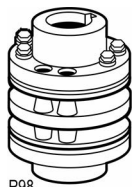
Four isolators are supplied in each package.

One for each corner of the unit. Associated hardware is also included. Select proper size isolator by dividing total unit weight by 4.

PART NO	ISOLATOR LOADING LBS/ISOLATOR
5F20-623	90 to 150
5F30-623	150 to 210
5F60-633	210 to 290
5F60-663	290 to 390
5H40-653	350 to 450
5H60-673	450 to 650
5H80-673	650 to 950
5H120-467	950 to 1250
5H120-527	1250 to 1550

CARLYLE OPEN DRIVE COMPRESSORS/ACCESSORIES

FLEXIBLE STEEL COUPLINGS FOR DIRECT DRIVE UNITS



P98

NOTE: A Dial Indicator must be used to properly align the compressor and motor shafts for reliable operation.

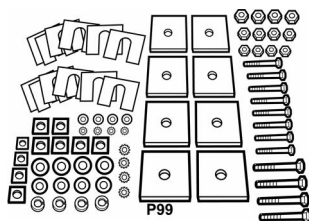
COMPRESSOR MODEL	PART NO	H P	MOTOR FRAME SIZE	SHAFT DIA (in)	MAXIMUM COUPLING HP RATING	WT (lbs)
5F20, 30	5F20-847	7-1/2,10	213T, 215T	1.375	11.5	10
5F20, 30	5F30-847	15	254T	1.625	17.5	10
5F40, 60	5F40-603	7-1/2,10	213T, 215T	1.375	17.5	15
5F40, 60	5F40-623	15	254T	1.625	17.5	15
5F40, 60	5F60-623	20	256T	1.625	30.0	21
5F40, 60	5F60-613	25,30	284T, 286T	1.875	34.5	21
5H40, 46	5H40-613	20	256T	1.625	34.5	21
5H40, 46	5H60-613	25,30	284T, 286T	1.875	65	24
5H40, 46	5H60-613	40,50,60	324TS, 326TS, 364TS	1.875	65	24
5H40, 46	5H60-623	40,50	324T, 326T	2.125	65	24
5H40, 46	5H80-613	60	364T	2.375	86	30
5H60, 66	5H60-613	30	286T	1.875	65	24
5H60, 66	5H60-613	40,50,60	324TS, 326TS, 364TS	1.875	65	24
5H60, 66	5H60-623	40,50	324T, 326T	2.125	65	24
5H60, 66	5H80-613	60,75	364T, 365T	2.375	86	30
5H60, 66	5H80-663	75	365TS	1.875	86	30
5H60, 66	5H120-623	100	404TS	2.125	150	35
5H80, 86	5H60-613	40,50,60	324TS, 326TS, 364TS	1.875	65	24
5H80, 86	5H60-623	40,50	324T, 326T	2.125	65	24
5H80, 86	5H80-613	60,75	364T, 365T	2.375	86	30
5H80, 86	5H80-663	75	365TS	1.875	86	30
5H80, 86	5H120-623	100	404TS, 405TS	2.125	150	35
5H120, 126	5H60-613	60	364TS	1.875	65	24
5H120, 126	5H80-613	60,75	364T, 365T	2.375	86	30
5H120, 126	5H80-663	75	365TS	1.875	86	30
5H120, 126	5H120-623	100,125	404TS, 405TS	2.125	150	35
5H120, 126	5H126-623 *	100,125	404T, 405T	2.875	200	40
5H120, 126	5H126-623 *	150,200	444TS, 445TS	2.375	200	40

*When 5H126-623 coupling is used with a 404T or 405T frame motor, field boring is required. Enlarge motor bore to 2.875/2.8755 in. diameter. Increase Keyway size to 3/4 x 3/8 in.

CARLYLE OPEN DRIVE COMPRESSORS/ACCESSORIES

CARLYLE OPEN DRIVE COMPRESSORS/ACCESSORIES

MOTOR FASTENING KITS FOR DIRECT DRIVE APPLICATIONS

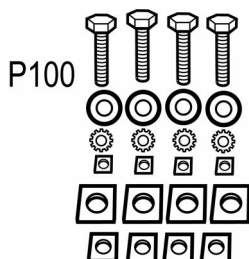


Motor Fastening Kit includes steel blocks and shims to align motor shaft to compressor shaft, hardware to attach motor to base and tapered dowel pins to pin motor to base and lock in alignment. Not enough memory to convert the items on the clipboard.

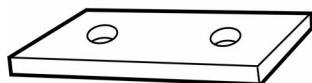
COMPRESSOR			MOTOR		
MODEL	SHAFT HT (in)	H P	FRAME SIZE	SHAFT HT (in)	PART NO
5F20, 30	6-1/4	7-1/2,10	213T, 215T	5-1/4	5F40-401
5F20, 30	6-1/4	7-1/2,10	213T, 215T	6-1/4	5F40-801
5F20, 30	6-1/4	15	254T	5-1/4	5F40-801
5F40, 60	8	7-1/2,10	213T, 215T	6-1/4	5F40-801
5F40, 60	8	15,20	254T, 256T	7	5F40-401
5F40, 60	8	25,30	284T, 286T	6-1/4	5F40-401
5H40, 46	9	20	256T	7	5F40-801
5H40, 46	9	25,30	284T, 286T	8	5H40-401
5H40, 46	9	40,50	324, 326 T/TS	9	5F40-401
5H40, 46	9	60,75	364, 365 T/TS	7	5F60-401
5H60, 66	9	30	286T	8	5H40-401
5H60, 66	9	40,50	324, 326 T/TS	9	5F40-401
5H60, 66	9	60,75	364, 365 T/TS	10	5F60-401
5H60, 66	9	100	404 T/TS	8	5F60-401
5H80, 86	9	40,50	324, 326 T/TS	9	5F40-401
5H80, 86	9	60,75	364, 365 T/TS	10	5F60-401
5H80, 86	9	100,125	404, 405 T/TS	9	5F60-401
5H120, 126	11	60,75	364, 365 T/TS	10	5H40-401
5H120, 126	11	100,125	404, 405 T/TS	11	5F40-401
5H120, 126	11	150,200	444, 445 TS		5F60-401

NOTE: Motor Fastening kit approximate shipping weight is 42 lbs.

MOTOR FASTENING KIT FOR BELT DRIVE APPLICATIONS



Motor Fastening Kit attaches motor to base. Kit includes: bolts, nuts and washers.



COMPRESSOR MODEL	PART NO	MOTOR	
		SIZE	FRAME SIZE
5F20, 30	5F20-821	5, 7-1/2, 10	184T, 213T, 215T
5F30	5F30-821	15	254T
5F40, 60	5F20-821	7-1/2, 10,15, 20, 25	213T, 215T,254T, 256T, 284T
5H40	5F30-821	20, 25, 30,40,50	256T, 284T, 286T,324T, 326T
5H60	5F30-821	40,50	324T, 326T
5H60	5H40-711	40,50,60,75	324T, 326T,364T, 365T
5H80, 120	5H40-711	40,50,60,75,100,125,150	324T, 326T, 364T, 365T,404T, 405T, 444T

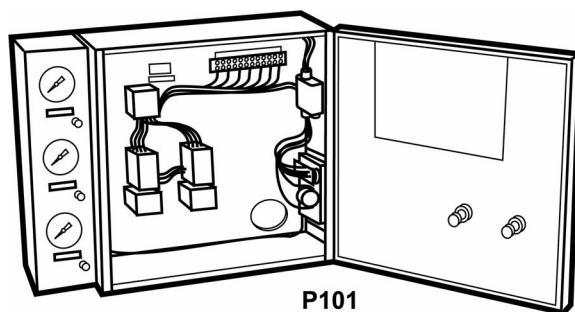
Compressor Mounting Block is used when a 5H66,80,86 is matched to a 100 Hp motor, or when a 5H86 is matched to a 125 Hp motor. The block raises compressor to allow alignment between compressor and motor shaft. Two blocks are required per compressor.

P/N: 5H40-1422

CARLYLE OPEN DRIVE COMPRESSORS/ACCESSORIES

CARLYLE OPEN DRIVE COMPRESSORS/ACCESSORIES

CONTROL PANELS



Control panels are designed for indoor use to control compressor and condensing units from 5 thru 150 Hp, in 208 to 575 volts, across-the-line starting applications. All units operate on 120 volt control circuit. Control panel easily mounts on one end of the unit base. Simple conversion to part-winding starting on 2 contactor models by adding time delay Part No. HN67ZA001. Single contactor panels require the addition of another contactor of the same size and time delay Part No. HN67ZA001.

* Single overload panels: overload dial is set at a value equal to NEC motor full load current rating and will trip at 125% of this rating. If tripping is required at 115% of NEC motor full load current rating, set the overload dial to value 0.92 times F.L.C. value. Two overload panels: Each overload dial is set at a value equal to one half of NEC motor full load current rating and will trip at 125% of the setpoint. If tripping is required at 115% of NEC motor full load current rating, set each overload dial to value of 0.92 times one half of F.L.C. value.

FEATURES:

ETL APPROVED

OIL PRESSURE SAFETY SWITCH protects compressor against damage from low oil pressure.

TIME GUARD circuit protects compressor and motor against short cycling.

OVERLOAD RELAY* manual reset.

SUCTION, DISCHARGE, OIL PRESSURE GAUGES display operating conditions.

GAUGE SHUTOFF VALVES

CAPILLARIES supplied for pressure gauges and switches.

CONTACTORS

TERMINAL BLOCKS for field connections.

GROUNDING LUG

CRANKCASE HEATER RELAY energizes heater on compressor shutdown to prevent dilution of oil by refrigerant.

PUMPOUT RELAY safeguards compressor against liquid refrigerant slugging on start-up.

ELAPSED RUNNING TIME METER

WIRE ASSEMBLIES provided in conduit are used to connect panel box and external controls to a junction box (provided).

FUSE, ON-OFF SWITCH, NEMA ENCLOSURE

HINGED COVER

HEAVY DUTY PANEL MOUNTING BASE is provided. Can be welded to compressor base or attached with supplied hardware.

CARLYLE OPEN DRIVE COMPRESSORS/ACCESSORIES

CONTROL PANELS

HP	MOTOR		CONTACTOR		OVERLOAD		LUG WIRE RANGE (AWG)	APPROXSHIP WT (lbs)	CONTROL PANEL PART NO
	NEC Amps (FLA)*	Volts	Rating (AC3)†	Qty	Amp Range	Qty			
5	17.5	208	28	1	13-19	1	12-8	115	32CF131A4
5	15.2	230	17	1	13-19	1	18-10	115	32CF131A5
5	7.6	460	9	1	6-8.5	1	18-10	115	32CF131A6
5	6.1	575	9	1	4.5-6.5	1	18-10	115	32CF131A1
7.5	25	208	28	1	24-32	1	12-8	115	32CF132B4
7.5	22	230	28	1	18-25	1	12-8	115	32CF132B5
7.5	11	460	11	1	10-14	1	18-10	115	32CF131B6
7.5	9	575	9	1	7.5-11	1	18-10	115	32CF131B1
10	32	208	32	1	29-42	1	8-4	115	32CF142C4
10	28	230	32	1	24-32	1	8-4	115	32CF142C5
10	14	460	17	1	13-19	1	18-10	115	32CF131C6
10	11	575	11	1	10-14	1	18-10	115	32CF131C1
15	48	208	54	1	36-52	1	8-1	115	32CF153D4
15	42	230	41	1	36-52	1	8-1	115	32CF153D5
15	21	460	28	1	18-25	1	12-8	115	32CF132D6
15	17	575	17	1	13-19	1	18-10	115	32CF131D1
20	62	208	65	1	45-63	1	8-1	115	32CF242E4
20	54	230	54	1	45-63	1	8-1	115	32CF242E5
20	27	460	32	1	24-32	1	8-4	115	32CF142E6
20	22	575	28	1	18-25	1	12-8	115	32CF142E1
25	78	208	80	1	60-80	1	8-1	130	32CF243F4
25	68	230	80	1	60-80	1	8-1	130	32CF242F5
25	34	460	41	1	29-42	1	8-4	115	32CF152F6
25	27	575	28	1	24-32	1	12-8	115	32CF152F1
30	92	208	95	1	80-110	1	6-2/0	130	32CF253G4
30	80	230	80	1	60-80	1	8-1	130	32CF243G5
30	40	460	41	1	29-42	1	8-4	115	32CF231G6
30	32	575	32	1	29-42	1	8-4	115	32CF141G1
40	120	208	130	1	100-135	1	8-3/0	130	32CF263H4
40	104	230	110	1	80-110	1	6-2/0	130	32CF263H5
40	52	460	54	1	45-63	1	8-1	115	32CF242H6
40	41	575	41	1	29-42	1	8-4	115	32CF241H1
50	150	208	156	1	130-175	1	8-250MCM	130	32CG273J4
50	130	230	130	1	100-135	1	8-3/0	130	32CG273J5
50	65	460	65	1	60-80	1	8-1	130	32CF242J6
50	52	575	54	1	45-63	1	8-1	115	32CF242J1
60	177	208	192	1	150-200	1	6-250MCM	130	32CH295K4
60	154	230	156	1	130-175	1	8-250MCM	130	32CH295K5
60	77	460	80	1	60-80	1	8-1	130	32CF253K6
60	62	575	65	1	60-80	1	8-1	130	32CF252K1
75	221	208	242	1	220-310	1	4-500MCM	130	32CH205L4
75	192	230	192	1	150-200	1	6-250MCM	130	32CH205L5
75	96	460	11	1	80-110	1	6-2/0	130	32CF263L6
75	77	575	95	1	80-110	1	6-2/0	130	32CF263L1
100	285	208	156	2	110-150	2	6-350MCM	130	32CI216M4
100	248	230	130	2	100-135	2	6-350MCM	130	32CI216M5
100	124	460	130	1	100-135	1	8-3/0	130	32CH274M6
100	99	575	110	1	80-110	1	6-2/0	130	32CF273M1
125	358	208	192	2	150-200	2	6-350MCM	130	32CI227N4
125	312	230	156	2	130-175	2	6-350MCM	130	32CI227N5
125	156	460	156	1	130-175	1	8-250MCM	130	32CI205N6
125	125	575	130	1	100-135	1	8-3/0	130	32CI225N1
150	415	208	242	2	165-235	2	2-600MCM	130	32CJ217P4
150	360	230	192	2	150-200	2	6-350MCM	130	32CJ227P5
150	180	460	192	1	150-200	1	6-250MCM	130	32CJ205P6
150	144	575	156	1	110-150	1	8-250MCM	130	32CJ284P1
200	550	208	302	2	220-310	2	2-600MCM	130	32CJ218Q4
200	480	230	242	2	220-310	2	2-600MCM	130	32CJ218Q5
200	240	460	242	1	220-310	1	4-500MCM	130	32CJ216Q6
200	192	575	192	1	150-200	1	6-250MCM	130	32CJ205Q1

CARLYLE OPEN DRIVE COMPRESSORS/ACCESSORIES

CONTROL PANELS

*From the National Electrical Code based on motor horsepower and voltage.

†AC3 rating is an IEC (International Electrical Code) rating per U.L. standards.

The contactors supplied with the panels are not definite purpose contactors.

They are specific to motor switching circuits.

NOTE: The information presented in the table on the previous page is for the current control panels offered through RCD.

COMPRESSOR TO DRIVE MOTOR COMBINATIONS

Motor selection is based on compressor rating charts.

5F COMPRESSOR/MOTOR COMBINATIONS

COMPRESSOR MODEL	MOTOR H.P. RATING
5F20	5,7.5,10
5F30	7.5,10,15
5F40	7.5,10,15,20,25
5F60	10,15,20,25,30

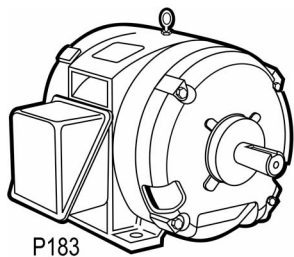
NOTE: Extended Stroke compressors (5H46,66,86,126) should not be applied on belt drive applications.

5H COMPRESSOR/MOTOR COMBINATIONS

COMPRESSOR MODEL	MOTOR H.P. RATING
5H40	20,25,30,40,50
5H46*	25,30,35,40,50,60
5H60	30,40,50,60,75
5H66*	40,50,60,75,100
5H80	40,50,60,75,100
5H86*	50,60,75,100,125
5H120*	60,75,100,125,150
5H126*	75,100,125,150,200

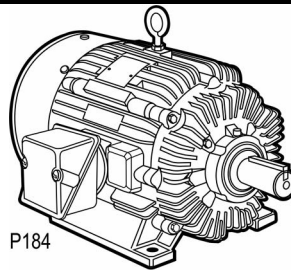
CARLYLE OPEN DRIVE COMPRESSORS/ACCESSORIES

MOTORS DRIP-PROOF



P183

- 3 Phase, 60 Hertz
- 40°C Ambient
- Nema Design B
- 1.15 Service Factor
- Class B Insulation
- Continuous Duty
- F1 Assembly



P184

- 3 Phase, 60 Hertz
- 40°C Ambient
- NEMA Design B
- 1.15 Service Factor
- Class B Insulation
- Continuous Duty
- F1 Assembly

H.P.	SPEED	VOLTAGE ⁽¹⁾	FRAME	P/N
5	1800	200-208	184T	240-139
	1800	208-230/460	184T	240-138
7.5	1800	200-208	213T	240-147
	1800	208-230/460	213T	240-146
10	1800	200-208	215T	240-155
	1800	208-230/460	215T	240-154
15	1800	200	254T	240-163
	1800	208/230/460	254T	240-162
20	1800	200-208	256T	240-171
	1800	230/460	256T	240-170
25	1800	208/230/460	284T	240-179
	1800	230/460	284T	240-178
30	1800	200-208	286T	240-189
	1800	208/230/460	286T	240-188
40	1800	200-208	324T	240-197
	1800	230/460	324T	240-196
50	1800	200-208	326T	240-205
	1800	230/460	326T	240-204
60	1800	200-208	364T	240-213
	1800	230/460	364T	240-212
75	1800	200-208	365T	240-221
	1800	230/460	365T	240-220
100	1800	200-208	404T	240-231
	1800	230/460	404T	240-230
125	1800	460	405T	240-240
150	1800	460	444TS	See Note
200	1800	460	445TS	See Note

(1) Motors rated 208-230/460 will operate at 208 volts. At 208 volts, motor may not meet NEMA specifications.

*Order these by description.

H.P.	SPEED	VOLTAGE*	FRAME	P/N
5	1800	200-208	184T	241-139
	1800	230/460	184T	241-138
10	1800	200-208	215T	241-155
	1800	230/460	215T	241-154
15	1800	200-208	254T	241-463
	1800	230/460	254T	241-462
20	1800	200-208	256T	241-471
	1800	230/460	256T	241-170
25	1800	200-208	284T	241-479
	1800	230/460	284T	241-478
30	1800	200-208	286T	241-489
	1800	230/460	286T	241-488
40	1800	200-208	324T	241-497
	1800	230/460	324T	241-496
50	1800	200-208	326T	241-205
	1800	230/460	326T	241-204
60	1800	200-208	364T	241-213
	1800	230/460	364T	241-212
75	1800	200-208	365T	241-221
	1800	230/460	365T	241-220
100	1800	200-208	405T	241-231
	1800	230/460	405T	241-230
125	1800	460	444TS	See Note
150	1800	460	445TS	See Note
200	1800	460	445T	241-258

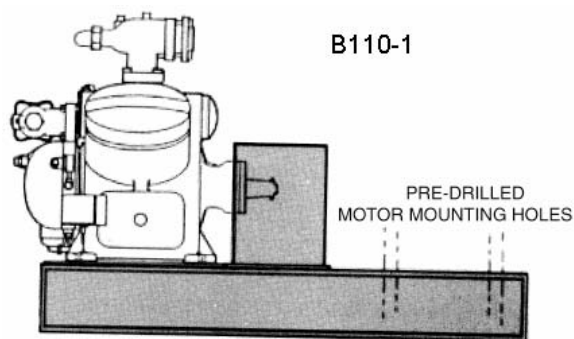
*230 volt motors operational on 208 volt network.
NOTE: Order these by description.

CARLYLE OPEN DRIVE COMPRESSORS/ACCESSORIES

TOTALLY ENCLOSED, FAN COOLED

CARLYLE OPEN DRIVE COMPRESSORS/ACCESSORIES

DIRECT DRIVE UNIT BASES



- Heavy duty channel steel base
- Coupling guard included
- Motor and compressor mounting holes are predrilled.
Select motor drilling code from the chart below.

MOTOR DRILLING CODE CHART

CODE	H. P.	FRAME
A	5	184T
B	7.5	213T
C	10	215T
D	15	254T
E	20	256T

CODE	H.P.	FRAME
F	25	284T
G	30	286T
H	40	324T
J	50	326T
K	60	364T

CODE	H. P.	FRAME
L	75	365T
M	100	404T
N	125	405T
O	150	444TS
P	200	445TS

COMPRESSOR USED WITH	MOTOR DRILLING SELECTION	BASE SIZE (L x W x H)	APPROX BASE WEIGHT	DIRECT DRIVE UNIT BASE PART NO
5F20	A,B,C	37 x 16 x 11	200	5F20-515(*)
5F30	B,C,D	37 x 16 x 11	200	5F20-515(*)
5F40	B,C,D,E,F	48 x 22 x 6	250	5F40-398(*)
5F60	C,D,E,F,G	48 x 22 x 6	250	5F40-398(*)
5H40	E,F,G,H,J	56 x 25 x 8	400	5H40-588(*)
5H46	F,G,H,J,K	56 x 25 x 8	400	5H40-588(*)
5H60	G,H,J,K,L	56 x 25 x 8	400	5H40-588(*)
5H66	H,J,K,L,M†	56 x 25 x 8	400	5H40-588(*)
5H80	H,J,K,L,M	75 x 32 x 10	800	5H80-588(*)
5H86	J,K,Mt,Nt	75 x 32 x 10	800	5H80-588(*)
5H120	K,L,M,N,O	75 x 32 x 10	800	5H80-588(*)
5H126	L,M,N,O,P	75 x 32 x 10	800	5H80-588(*)

(*)Select motor drilling from chart above to complete part number. For example, when 5F20-515A is selected the base will be drilled to accept a 5 H.P., 184T frame motor.

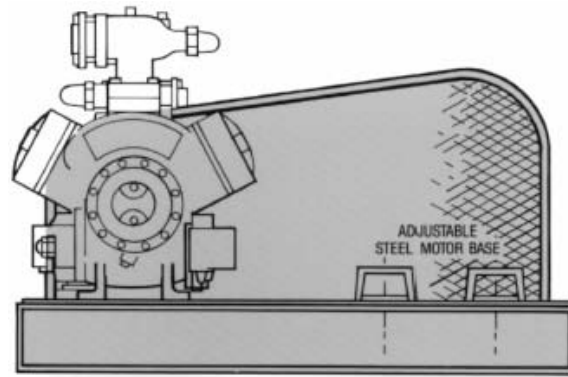
†5H66, 80, 86 with 100 H.P. motor and 5H86 with 125 H.P. motor require (2) 5H40-1422 compressor blocks.

NOTE: For base drilling code selections "H" thru "N", an "S" placed at the end of the part number indicates a base drilling for a short shaft motor/TS frame.

(For example, Part No. 5H40-588HS is a 5H40-588 base drilled to accept a 324TS frame motor.)

CARLYLE OPEN DRIVE COMPRESSORS/ACCESSORIES

BELT DRIVE UNIT BASES



B111-1

- Heavy duty channeled steel base
- Belt guard included.
- Compressor mounting holes are predrilled.
- An adjustable steel motor base facilitates motor positioning.
Select adjustable motor base from the chart below.

ADJUSTABLE MOTOR BASE CODE CHART

CODE	H. P.	FRAME
A	5	184T
B	7.5	213T
C	10	215T
D	15	254T
E	20	256T

CODE	H. P.	FRAME
F	25	284T
G	30	286T
H	40	324T
J	50	326T
K	60	364T

CODE	H.P.	FRAME
L	75	365T
M	100	404T
N	125	405T

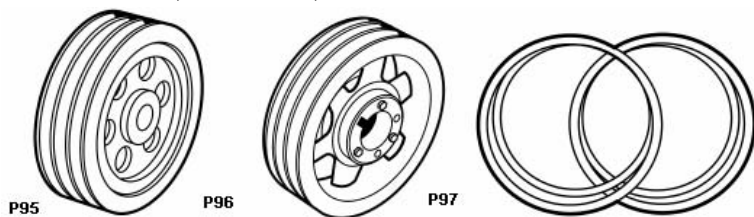
COMPRESSOR USED WITH	ADJUSTABLE MOTOR BASE	BASE SIZE (L x W x H)	APPROX BASE WEIGHT	BELT DRIVE UNIT BASE PART NO
5F20	A, B,C	37 x 16 x 11	150	5F20-238(*)
5F30	B,C, D	37 x 16 x 11	150	5F20-238(*)
5F40	B,C,D,E,F	48 x 22 x 6	250	5F40-408(*)
5F60	C,D,E,F,G	48 x 22 x 6	250	5F40-408(*)
5H40	E,F,G,H,J	56 x 25 x 8	440	5H40-598(*)
5H60	G,H,J,K,L	56 x 25 x 8	440	5H40-598(*)
5H80	H,J,K,L,M	75 x 32 x 10	625	5H60-974(*)
5H120	K,L,M,N	75 x 32 x 10	625	5H60-974(*)

(*)Select adjustable base code from chart above to complete part number.

For example, when 5F20-238A is selected the adjustable motor base will accept a 5 H.P., 184T frame motor.

CARLYLE OPEN DRIVE COMPRESSORS/ACCESSORIES

FLYWHEEL, PULLEY, BELTS



CARLYLE OPEN DRIVE COMPRESSORS/ACCESSORIES

COMPRESSOR MODEL	H. P.	MOTOR		COMPRESSOR RPM	CENTER TO CENTER (in.)	FLYWHEEL			PULLEY			BELTS		
		FRAME SIZE	SHAFT DIA. (in.)			P/N	PD	NO. OF GROOVES & TYPE	P/N	PD	NO. OF GROOVES & TYPE	P/N	PL	NO. OF BELTS
5F20	5	184T	1-1/8	1750	19.3	5F20-394	7.5	2-B	5F20-861	7.4	2-B	5F20-851	61.8	2-B
5F20	7.5	213T	1-3/8	1750	19.3	5F20-394	7.5	2-B	5F20-891	7.4	2-B	5F20-851	61.8	2-B
5F20	10	215T	1-3/8	1750	19.3	5F20-394	7.5	2-B	5F20-891	7.4	2-B	5F20-851	61.8	2-B
5F30	7.5	213T	1-1/8	1750	19.3	5F20-394	7.5	2-B	5F20-891	7.4	2-B	5F20-851	61.8	2-B
5F30	10	215T	1-3/8	1750	19.3	5F20-394	7.5	2-B	5F20-891	7.4	2-B	5F20-851	61.8	2-B
5F30	15	254T	1-5/8	1750	19.3	5F30-394	7.5	3-B	5F30-921	7.4	3-B	5F30-831	61.8	3-B
5F40	7.5	213T	1-5/8	1750	26.6	5F40-394	9.5	3-B	5F30-881	9.4	3-B	5F40-841	82.8	3-B
5F40	10	215T	1-3/8	1750	26.6	5F40-394	9.5	3-B	5F30-881	9.4	3-B	5F40-841	82.8	3-B
5F40	15	254T	1-5/8	1750	26.6	5F40-394	9.5	3-B	5F40-871	9.4	3-B	5F40-841	82.8	3-B
5F40	20	256T	1-5/8	1750	26.6	5F40-394	9.5	3-B	5F40-871	9.4	3-B	5F40-841	82.8	3-B
5F40	25	284T	1-7/8	1750	26.6	5F40-394	9.5	3-B	5F40-881	9.4	3-B	5F40-841	82.8	3-B
5F60	10	215T	1-3/8	1750	26.6	5F40-394	9.5	3-B	5F30-881	9.4	3-B	5F40-841	82.8	3-B
5F60	15	254T	1-5/8	1750	26.6	5F40-394	9.5	3-B	5F40-871	9.4	3-B	5F40-841	82.8	3-B
5F60	20	256T	1-5/8	1750	26.6	5F40-394	9.5	3-B	5F40-871	9.4	3-B	5F40-841	82.8	3-B
5F60	25	284T	1-7/8	1750	26.6	5F40-394	9.5	3-B	5F40-881	9.4	3-B	5F40-841	82.8	3-B
5F60	30	286T	1-7/8	1750	26.6	5F40-394	9.5	3-B	5F40-881	9.4	3-B	5F40-841	82.8	3-B
5H40	20	256T	1-5/8	1750	32.2	5H40-394	11.0	3-C	5H40-811	11.0	3-C	5H40-861	92.9	3-C
5H40	25	284T	1-7/8	1750	32.2	5H40-394	11.0	3-C	5H80-811	11.0	3-C	5H40-861	98.9	3-C
5H40	30	286T	1-7/8	1750	32.2	5H40-394	11.0	3-C	5H80-811	11.0	3-C	5H40-861	98.9	3-C
5H40	40	324T	2-1/8	1750	32.2	5H40-394	11.0	3-C	5H40-821	11.0	3-C	5H40-861	98.9	3-C
5H40	50	326T	2-1/8	1750	32.2	5H40-394	11.0	3-C	5H40-821	11.0	3-C	5H40-861	98.9	3-C
5H60	30	286T	1-7/8	1750	32.2	5H40-394	11.0	3-C	5H80-811	11.0	3-C	5H40-861	98.9	3-C
5H60	40	324T	2-1/8	1750	32.2	5H40-394	11.0	3-C	5H40-821	11.0	3-C	5H40-861	98.9	3-C
5H60	50	326T	2-1/8	1750	32.2	5H60-394	11.0	5-C	5H80-821	11.0	5-C	5H120-861	98.9	5-C
5H60	60	364T	2-3/8	1750	32.2	5H60-394	11.0	5-C	5H120-821	11.0	5-C	5H120-861	98.9	5-C
5H60	75	365T	2-3/8	1750	32.2	5H40-394	11.0	5-C	5H120-821	11.0	5-C	5H120-861	98.9	5-C
5H80	40	324T	2-1/8	1750	36.7	5H60-394	11.0	5-C	5H80-821	11.0	5-C	5H40-871	107.9	5-C
5H80	50	326T	2-1/8	1750	36.7	5H60-394	11.0	5-C	5H80-821	11.0	5-C	5H40-871	107.9	5-C
5H80	60	364T	2-3/8	1750	36.7	5H60-394	11.0	5-C	5H120-821	11.0	5-C	5H40-871	107.9	5-C
5H80	75	365T	2-3/8	1750	36.7	5H60-394	11.0	5-C	5H120-821	11.0	5-C	5H40-871	107.9	5-C
5H80	100	404T	2-7/8	1750	36.7	5H120-394	11.0	9-C	5H120-831	11.0	9-C	5H120-871	107.9	9-C
5H120	60	364T	2-3/8	1750	36.7	5H60-394	11.0	5-C	5H120-821	11.0	5-C	5H40-871	107.9	5-C
5H120	75	365T	2-3/8	1750	36.7	5H60-394	11.0	5-C	5H120-821	11.0	5-C	5H40-871	107.9	5-C
5H120	100	404T	2-7/8	1750	36.7	5H120-394	11.0	9-C	5H120-831	11.0	9-C	5H120-871	107.9	9-C
5H120	125	405T	2-7/8	1750	36.7	5H120-394	11.0	9-C	5H120-831	11.0	9-C	5H120-871	107.9	9-C

PD - Pitch Diameter (in.)

PL - Pitch Length (in.)